

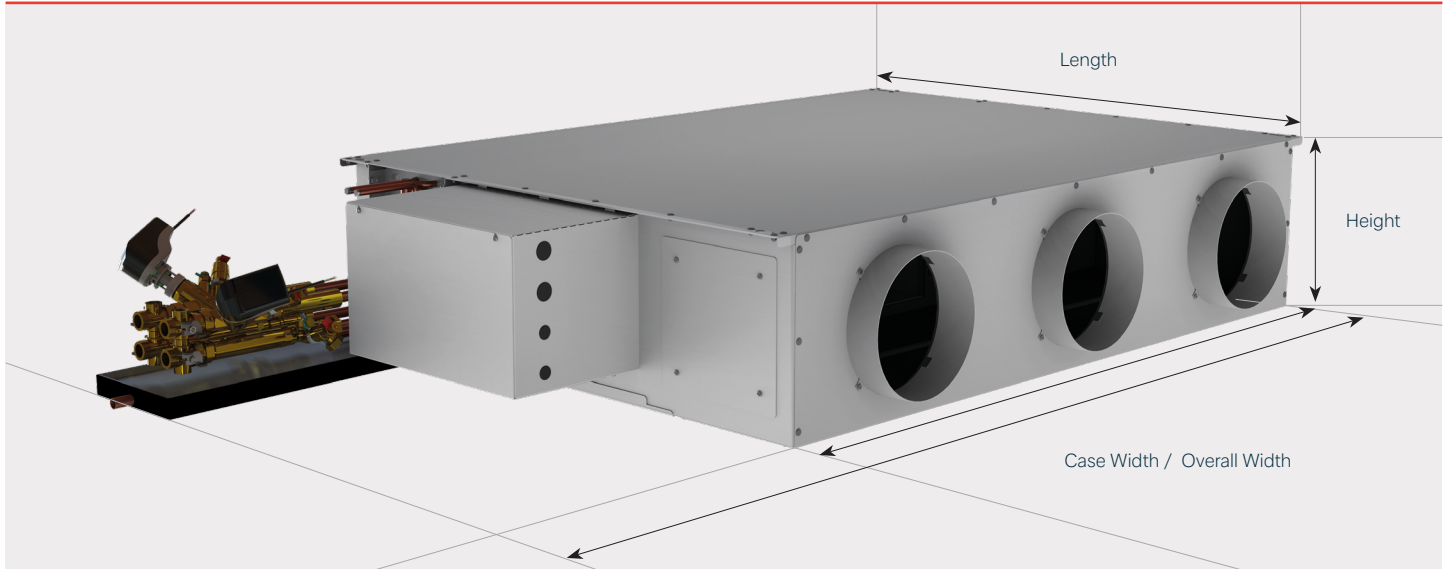
EVO270 Exposed Installation



Unit Performance

SIZE	Guide NR	Airflow l/s	ESP Pa	SFP W/(l/s)	Sensible Cooling 6-12°C	Total Cooling 6-12°C	Sensible Cooling 8-14°C	Total Cooling 8-14°C	Sensible Cooling 10-16°C	Total Cooling 10-16°C	LPHW Heating 80-60°C	LPHW Heating 70-40°C	LPHW Heating 45-40°C
100	35	66	30	0.14	960	1171	783	880	660	660	1319	707	488
200	35	86	30	0.17	1240	1512	1010	1135	848	848	1719	921	636
250	35	115	30	0.19	1637	1996	1328	1492	1109	1109	2299	1232	850
300	35	171	30	0.19	2444	2980	1985	2230	1661	1661	3419	1832	1265
350	35	180	30	0.20	2564	3127	2081	2338	1740	1740	3599	1928	1331
400	35	184	30	0.19	2563	3126	2070	2325	1716	1716	3679	1971	1361
500	35	199	30	0.19	2884	3517	2350	2640	1977	1977	3979	2132	1472
550	35	282	30	0.22	4014	4895	3257	3659	2722	2722	5639	3021	2086
600	35	296	30	0.19	4240	5171	3445	3870	2886	2886	5919	3171	2190
650	35	335	30	0.20	4763	5809	3864	4341	3228	3228	6699	3589	2478
100	38	82	30	0.16	1179	1438	959	1077	803	803	1700	878	606
200	38	113	30	0.18	1610	1963	1306	1467	1092	1092	2259	1210	836
250	38	160	30	0.20	2229	2718	1799	2021	1492	1492	3199	1714	1183
300	38	211	30	0.21	2974	3627	2408	2705	2005	2005	4219	2260	1561
350	38	247	30	0.21	3438	4193	2775	3117	2299	2299	4939	2646	1827
400	38	267	30	0.20	3635	4433	2918	3278	2397	2397	5339	2860	1955
500	38	286	30	0.20	4067	4960	3299	3706	2757	2757	5719	3064	2116
550	38	363	30	0.24	5073	6187	4099	4605	3402	3402	7259	3889	2686
600	38	391	30	0.18	5500	6707	4451	5000	3703	3703	7818	4189	2893
650	38	421	30	0.22	5888	7180	4758	5345	3950	3950	8418	4510	3115

EVO270 Exposed Installation



Data Dimensions

Size	Case Width (mm)	Overall Width (mm)	Height (mm)	Length (mm)	Spigot Diameter (mm)	Weight (Kg)	Max (Amps)
100	616	803	270	900	250	41	0.68
200	916	1,103	270	900	250	52	0.68
250	916	1,103	270	900	250	56	1.28
300	1,216	1,403	270	900	250	66	1.28
350	1,216	1,403	270	900	250	70	1.92
400	1,516	1,703	270	900	250	82	1.92
500	1,816	2,003	270	900	250	93	1.92
550	1,816	2,003	270	900	250	97	2.60
600	2,116	2,303	270	900	250	105	2.60
650	2,116	2,303	270	900	250	109	3.28

Performance Data Qualification

Ability have invested heavily in a new Fan Coil specific acoustic test suite and various analysing hardware and software packages. All of our FCU ranges have been fully acoustically tested in the new facility in accordance with the Real Room Acoustic Test Procedure published by the HEVAC Association. Using room volume, reverberation and background corrections, the Sound Pressure Levels measured under test conditions have been converted to Noise Rating (NR) Levels. In addition to this, Sound Power Level calculations have been undertaken from Sound Intensity measurements made in accordance with ISO 9614-1:2009. These SWLs have been correlated and verified with testing at the Institute of Sound and Vibration Research, University of Southampton, to BS EN ISO 3741:2010, with further corroboration against testing at Sound Research Laboratory. Tests have also been conducted in the new suite in accordance with BS 4856:Part 4.

Full setup and details available upon request.

Thermal performance selections based on Summer: 23°C 50% RH / Winter: 21°C 50% RH

All testing performed using standard units, featuring integral discharge plenums with circular connections. Units are fitted with G3 filter media and (unless specifically mentioned) include heat exchangers with 12FPI fin pitch.